



Your next project just got easier!

Small Parts Vise

#16450

Quick Clamping

With knurled quick-release knob fully turned clockwise, lift up on the knob and slide the adjustable clamping body close to the piece to be clamped.

Once the approximate clamping position has been established, turn the knurled knob counterclockwise until it is snug. This will ensure that the clamping body does not slip during use.

Use the round black knob (at the end of the clamp) to make final adjustments and to make sure the piece is secure in the jig.

Angle Alignment

Loosen brass nut; align scale on locking bracket with inner edge of jaws as shown in Fig. 2

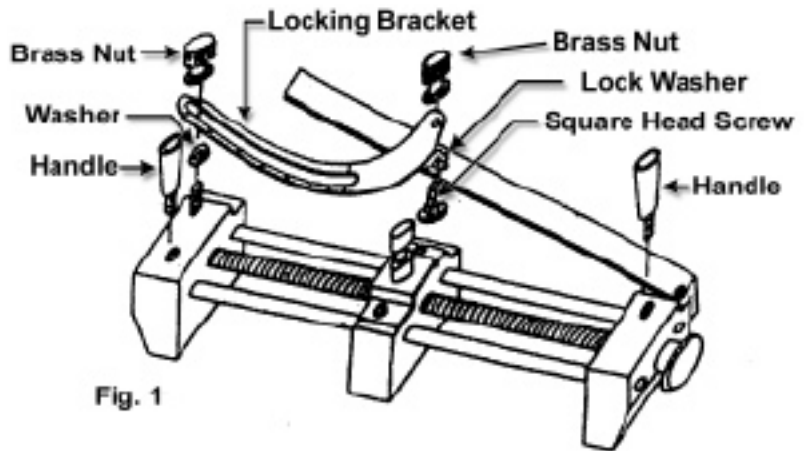
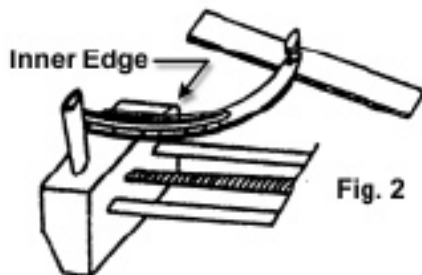


Fig. 1

Small parts are difficult and often dangerous to handle on the router and table saw.

This vise reduces the risk by moving your hands away from the cutter and holding the wood much tighter than you can with your fingers.

This mitre jig has been designed simply for safe use on table-mounted routers and shapers and saws, joiners and other power tools.

It is used for custom shaping of small work pieces and for easily cutting at angles up to 45 degrees. The jaws hold work pieces up to 10" wide.

US Patent: 5,283,958 Taiwan Patent: 66175/29043

Imported by Workshop Supply Inc
2009 © Workshop Supply Inc

PO Box 160 100 Commissioner St E Embro ON N0J 1J0

1-800-387-5716

www.workshopsupply.com